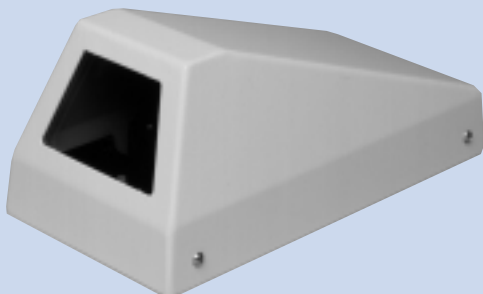


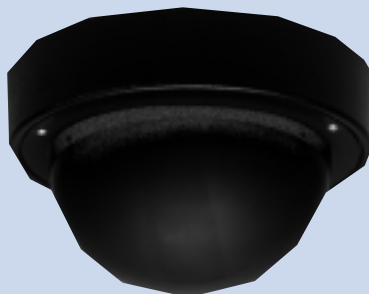


INDOOR CAMERA HOUSINGS

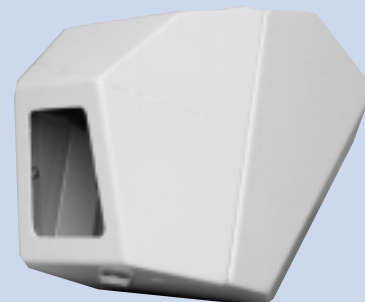
MODELS: PMWH8/PMEH8/PCH9
PQD8/PIH800/PPH14
PHD8/PID8/PMCH8/PUM8
PSMD12/PBRH10/PBWM10



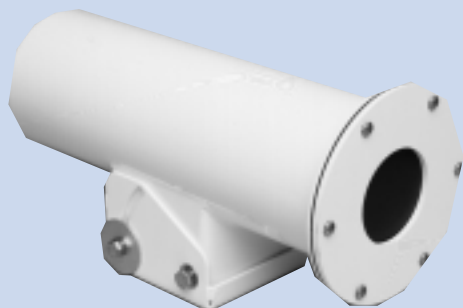
Model: PMEH8



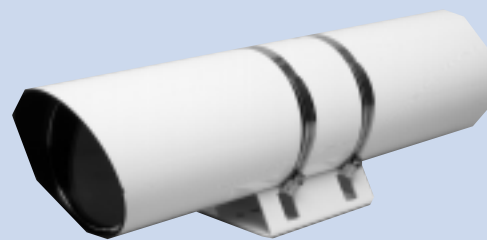
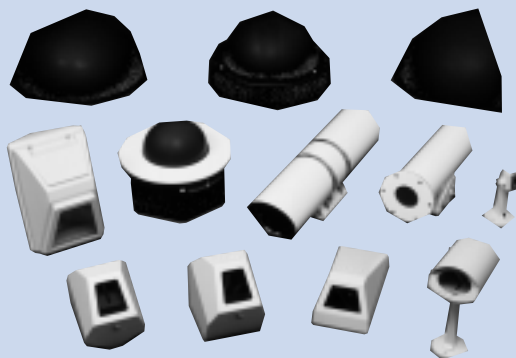
Model: PSMD12



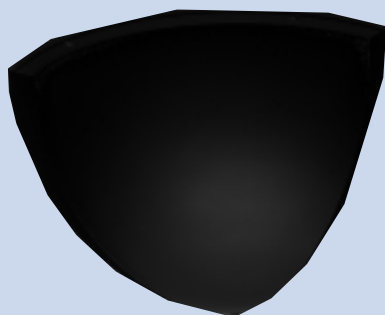
Model: PMCH8



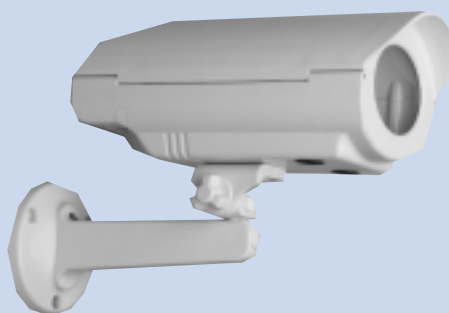
Model: PBRH10



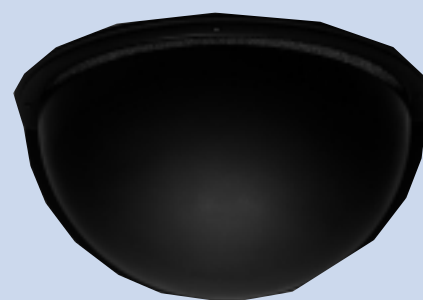
Model: PPH14



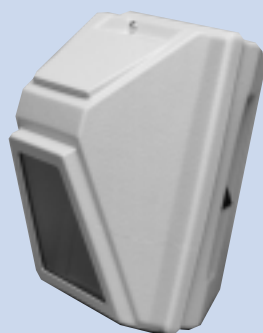
Model: PQD8



Model: PIH800



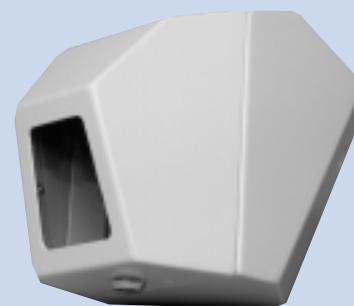
Model: PHD8



Model: PCH9



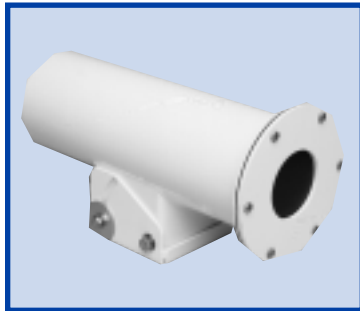
Model: PID8



Model: PMWH8

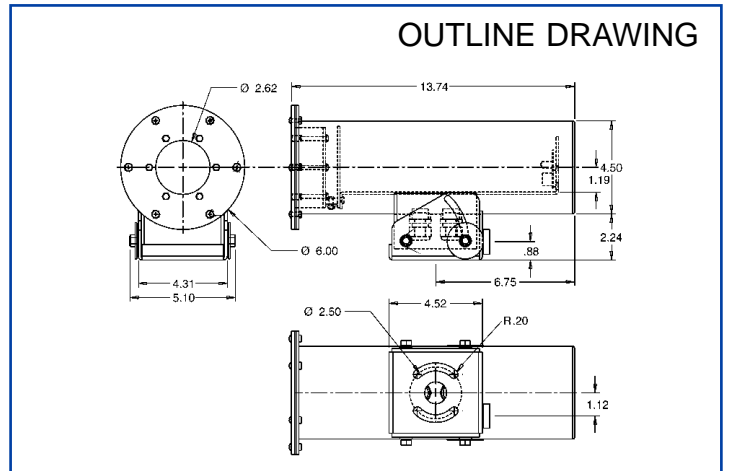
PBRH10 Outdoor Bullet Resistant Housing

The PBRH10 housing has been designed and engineered for Panasonic's standard body 1/3 cameras with Panasonic Vari-Focal Lens Series.



PBWM10, Wall Mount Bracket (optional)

This ballistic rated housing features 7 gauge strength and durability and is designed and constructed to meet or exceed a Level II protection per UL standard 752.

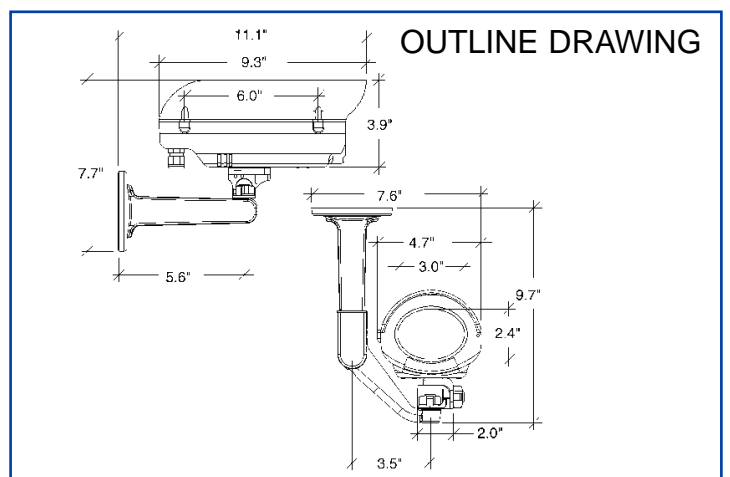


PIH800 Indoor Housing

The PIH800 housing has been designed and engineered for Panasonic's standard body 1/3 cameras with Panasonic Fixed Focal Lens Series. The housing body and viewing window are made from high impact Lexan plastic.

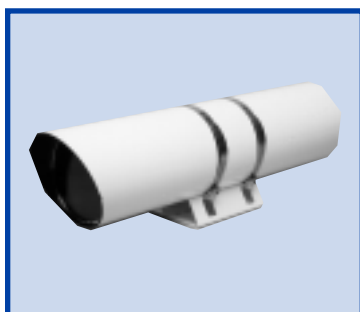


The adjustable camera bracket will support camera and lens combinations up to 8". J Bracket included.

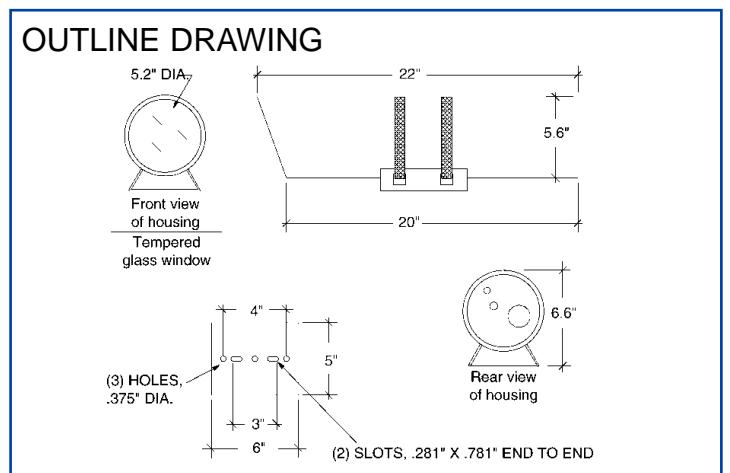


PPH14 Pressurized Housing

The PPH14 housing has been designed and engineered for Panasonic's standard body 1/3 cameras with Panasonic Fixed Focal Length cameras or Motorized Zoom Lens.

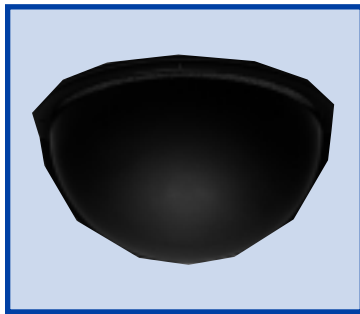


The enclosure can accommodate a lens and camera combination with a total length of 14".



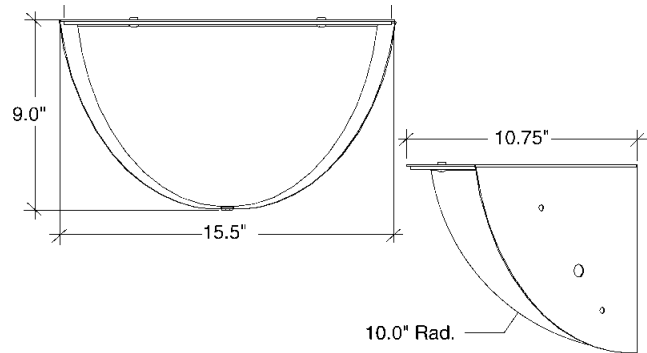
PHD8 Half Dome Housing

The PHD8 housing has been designed and engineered for Panasonic's standard body 1/3 cameras with Panasonic Fixed Focal Lens



Series. The housing accommodates standard body fixed cameras up to 8" in length. Unit will be constructed with an 18 gauge steel back and a tinted acrylic dome designed for wall applications.

OUTLINE DRAWING



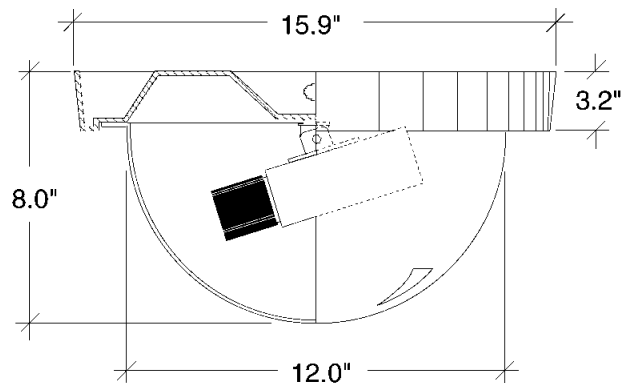
PSMD12 Indoor Surface Housing

The PSMD12 housing has been designed and engineered for Panasonic's standard body 1/3 cameras with Panasonic Fixed Focal Lens



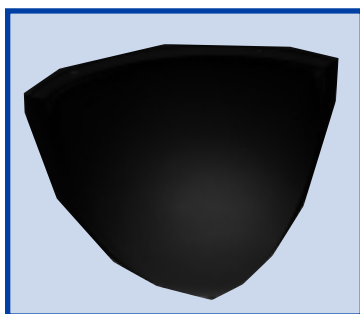
Series. A 12" dome accommodates standard body fixed camera up to 8" in length. Unit will be constructed ABS plastic housing with a tinted acrylic dome.

OUTLINE DRAWING



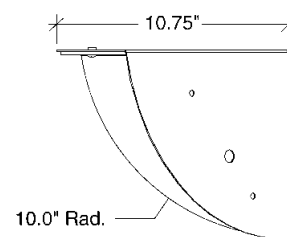
PQD8 Quarter Dome Housing

The PQD8 housing has been designed and engineered for Panasonic's standard body 1/3 cameras with Panasonic Fixed Focal Lens



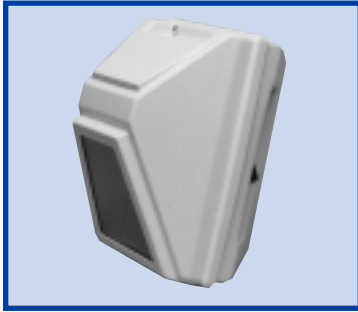
Series. The housing accommodates standard body fixed camera up to 8" in length. Unit will be constructed with an 18 gauge steel back and a tinted acrylic dome designed for corner applications.

OUTLINE DRAWING



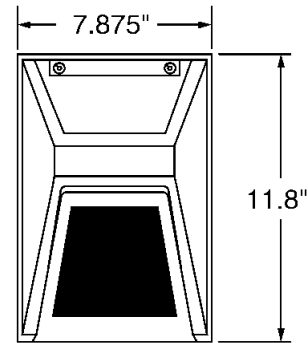
PCH9 Indoor Corner Housing

The PCH9 housing has been designed and engineered for Panasonic's standard body 1/3 cameras with Panasonic Vari-Focal Lens Series.



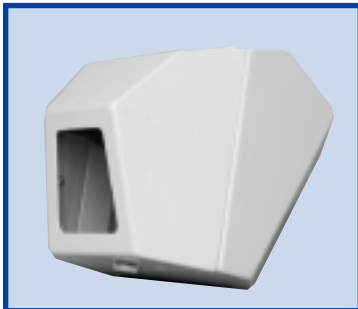
The enclosure accommodates a standard body fixed camera up to 9.5" in length. Unit will be constructed of ABS plastic with a stainless steel hinge and an acrylic window.

OUTLINE DRAWING



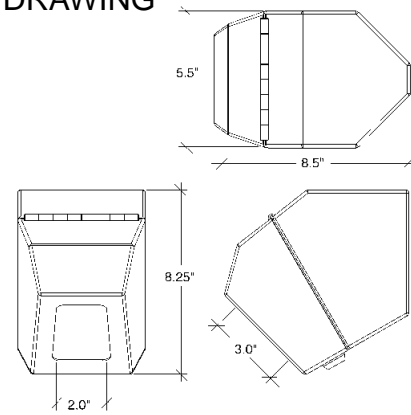
PMCH8 Metal Indoor Corner Housing

The PMCH8 housing has been designed and engineered for Panasonic's standard body 1/3 cameras with Panasonic Fixed Focal Lens



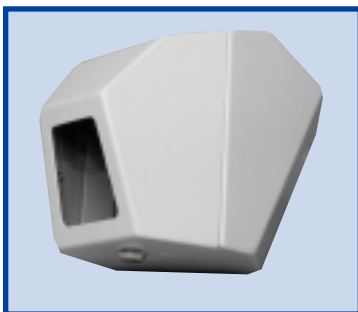
Series. The housing accommodates standard body fixed camera up to 8" in length. Unit will be constructed of 14 gauge steel designed for corner mount applications.

OUTLINE DRAWING



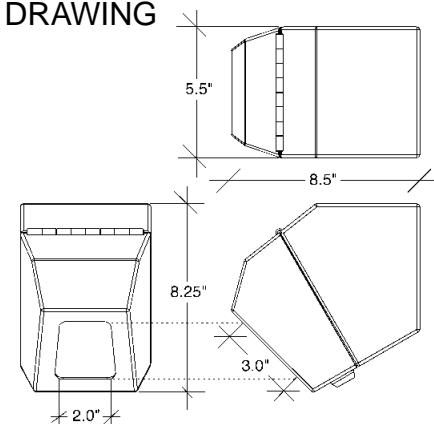
PMWH8 Metal Indoor Wall Housing

The PMWH8 housing has been designed and engineered for Panasonic's standard body 1/3 cameras with Panasonic Fixed Focal Lens



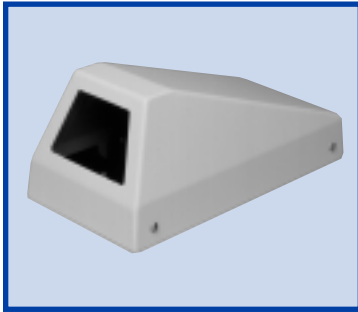
Series. The housing accommodates standard body fixed camera up to 8" in length. Unit will be constructed of 14 gauge steel designed for wall or ceiling applications.

OUTLINE DRAWING



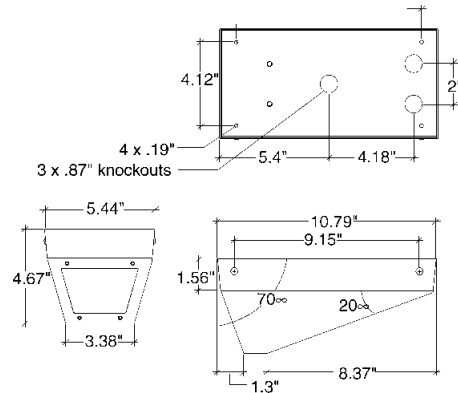
PMEH8 Metal Wedge Housing

The PMEH8 housing has been designed and engineered for Panasonic's standard body 1/3 cameras with Panasonic Fixed Focal Lens Series.



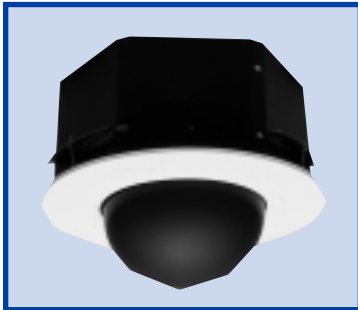
The enclosure accommodates standard body fixed camera up to 8" in length. Unit will be constructed of 14 gauge low profile wedge housing with 18 gauge base designed for surface mount applications.

OUTLINE DRAWING

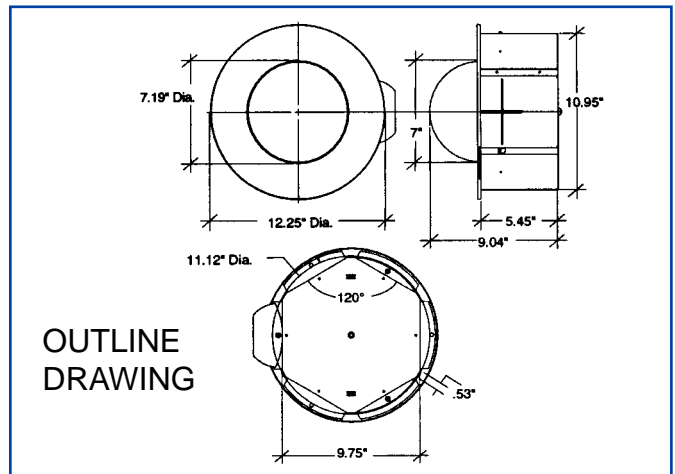


PID8 Indoor Domed Housing

The PID8 housing has been designed and engineered for Panasonic's standard body 1/3 cameras with Panasonic Fixed Focal Lens Series. A 7" dome



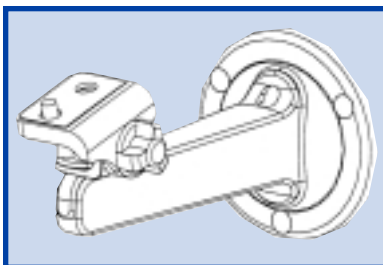
accommodates standard body fixed camera up to 8" in length. An opaque liner combined with the lower tinted dome hides the direction of the camera. The upper body is made of steel. A 19 gauge steel, white powder coat trim is included.



OUTLINE DRAWING

PUM8 Indoor Wall Mount Bracket

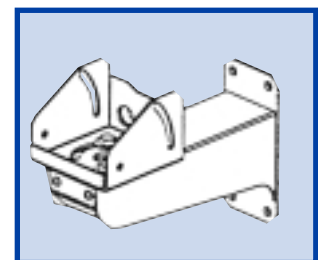
The PUM8 bracket has been designed and engineered for Panasonic's standard body cameras with a maximum camera and lens length of 8" and a maximum weight of 3 lbs.



Bracket is designed for use in wall mount applications or can be quickly converted for ceiling mounting.

PBWM10 Bullet Resistant Wall Mount

The PBWM10 Bracket has been designed and engineered for use with Panasonic's PBRH10 Outdoor Bullet Resistant Housing.





DISTRIBUTED BY:

VSD- [08201.2] (5K)

Panasonic Security & Digital Imaging Company

A Unit of Matsushita Electric Corporation of America

Security Systems Group

<http://cctv.panasonic.com>

Executive Office: One Panasonic Way 3E-7, Secaucus, New Jersey 07094

Zone Office

Eastern: One Panasonic Way, Secaucus, NJ 07094 (201) 348-7303

Central: 1707 N. Randall Road, Elgin, IL 60123 (847) 468-5205

Western: 6550 Katella Ave., Cypress, CA 90630 (714) 373-7840

PANASONIC CANADA INC.

5770 Ambler Drive, Mississauga, Ontario, L4W 2T3 Canada (905) 624-5010

PANASONIC SALES COMPANY

DIVISION OF MATSUSHITA ELECTRIC OF PUERTO RICO, INC.

San Gabriel Industrial Park 65th Infantry Ave., KM.9.5 Carolina, P.R. 00985
(809) 750-4300